

accurate dosing

BELDOS

FOR A BETTER FILLING

18 months warranty

Belgun Depositor

Your right hand at the production!

Beldos offers a range of versatile volumetric stainless steel depositors with optional attachments for depositing, injection, layering and decoration. Beldos depositors will replace your pastry bag, spoon or a measuring cup and will become the most reliable, easy-to-use and intelligent equipment at your production!

1. The Belgun depositor is available in two series:

- 275 – 5-275 ml per deposit
- 670 – 5-670 ml per deposit

2. Design features:

- mounted on a low non-adjustable in height mobile frame for easy filling of the hopper
- hoppers: 18 l / 25 l / 60 l
- handgun operation only



everyone can work with it

100 % hygiene control



CLICK HERE TO WATCH THE MOVIE

time saving

up to 120 deposits/min

SPECIFICATIONS

Belgun 275

Belgun 670

ATTENTION! AIR COMPRESSOR IS REQUIRED!

POWER	Air: 29 l/min at 30 deposits/min, 7 Bar/102 PSI	Air: 121 l/min at 30 deposits/min, 7 Bar/102 PSI
DEPOSIT RANGE	5-275 ml	5-670 ml
DEPOSIT SPEED	up to 120 deposits/min	
PARTICLE SIZE	max. 25 mm soft particles (cooked apple chunks, etc.)	max. 25 mm soft/hard particles (cooked meat, etc.)
MATERIAL	stainless steel	

fast, accurate, clean & easy dosing



product cylinder

18 l / 25 l / 60 l conical or vertical hoppers

DEPOSIT VOLUME PER SERIES			
Cylinder size mm	min volume	series	series
		275	670
28	5	40	60
40	10	86	140
52	30	151	240
70	100	275	430
85	200	-	670



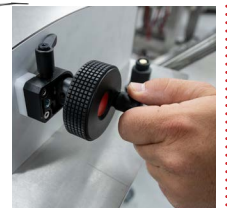
handgun operation

quick cleaning

adjust the speed



adjust the volume



rotation cylinder

MEDIUM t°	0° - 60° C
COLD t°	-8° - 0° C
HOT t°	above 60° C



tool-free assembly

OPTIONS

HOPPERS & ATTACHMENTS



heater jacket



conical hoppers
18 l / 25 l / 60 l
for depositing
pourable products



vertical hoppers
25 l / 60 l
for depositing heavy
or aerated products



heater jacket



cooling jacket



hopper division



follower plate
synthetic



follower plate
st. steel

multi-functional

NOZZLES & ATTACHMENTS

*various options for
different viscosities*



handgun
nozzle



double
injection / fill
attachment



injection needle
attachment



filling tube
attachment



spreader &
icing
attachment

SEE A COMPLETE OVERVIEW OF THE OPTIONS IN THE PRICELIST

 -8°
cold products

APPLICATIONS

sweet & savoury
products

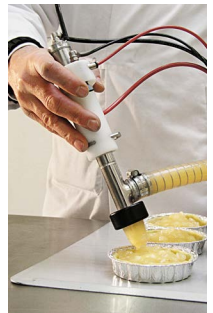
+120° 
hot products



DEPOSITING



depositing of cake batter, muffins, jam, jelly, fruit filling, cream, mousse, meringue, yoghurt, soup, sauce, mashed potatoes, minced meat, salad, etc.



INJECTION



injection of éclairs, Berliners, profiteroles



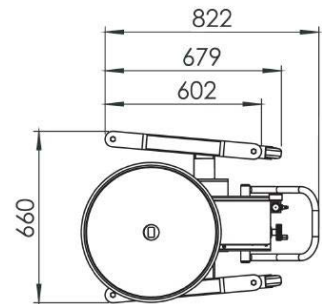
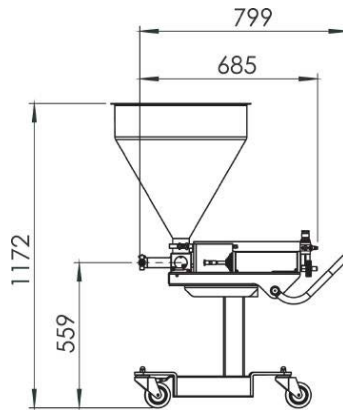
increased
production
efficiency

save ingredients
by correct dosing

*CE
construction*

DIMENSIONS Belgun 275

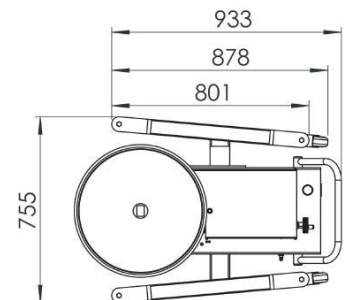
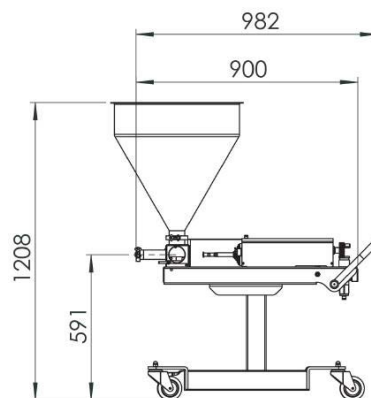
*top quality
equipment*



*safe
design*

Belgun 670

*all stainless
steel construction*



Beldos N.V.
Industrielaan 10
2950 Kapellen
Antwerp province
Belgium

+32 3 646 40 48
info@beldos.be
www.beldos.com

