

everyone can work with it

BELDOS

FOR A BETTER FILLING

18 months warranty

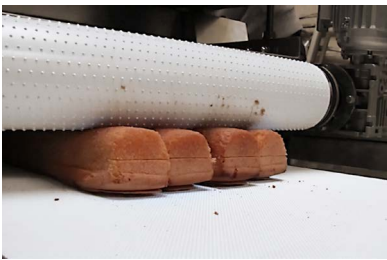
Belslice Press Slicer

Perfect cutting result!

If you need a slicing machine for perfect horizontal cutting of sponge cakes, then Belslice Press is your answer.

1. Design features:

- quick-change height adjustable cutting blades (maximum 5 blades, adjustable in 10 mm, 15 mm or 20 mm)
- adjustable conveyor speed
- catch tray for crumbs
- swivel wheels with brakes
- a press belt with adjustable speed and manually adjustable in height; presses the sponge down and ensures ideal slicing of layers



everyone can work with it

all stainless steel construction



CLICK HERE TO WATCH THE MOVIE

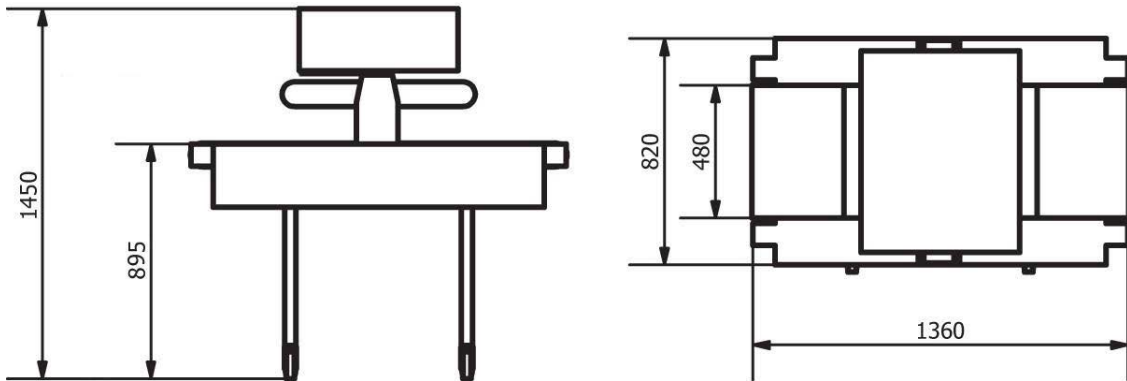
time saving

up to 40 cakes/min

SPECIFICATIONS

	Belslice Press Slicer
POWER	220 V single phase, 50/60 Hz, 0,5 kW
CAPACITY	max. product width 480 mm max. product length 650 mm max. product height 95 mm cutting thickness 10-15-20, etc. mm (distance between knives) the lowest layer can be 5-10-15-20 mm about 20 big cakes/min about 40 small cakes/min (max diam. 220 mm)

DIMENSIONS



Beldos N.V.
Industrielaan 10 +32 3 646 40 48
2950 Kapellen info@beldos.be
Antwerp province www.beldos.com
Belgium

