

*minimal training  
required*

# BELDOS

*low investment*

FOR A BETTER FILLING

## Mini-fill Filling Machine

**Invest less and get more out of the Mini-fill!**

The place to be for all your professional horeca dosing and filling machines!

Do you need a flexible and custom made solution for catering, supermarket or food service? Do you need to produce a large variety of products with minimum change over and cleaning?

You are in the right place! We are looking forward to hearing from you and supporting you with the best expertise!

Design features:

- **ELECTRIC OR ELECTRO-PNEUMATIC** versions depending on the product viscosity
- easy-to-use color **TOUCH SCREEN**
  - single/automatic or continuous mode
  - volume
  - speed
  - waiting time between deposits
  - number of automatic deposits
  - reverse mode to prevent dripping

*save ingredients  
by correct dosing*

- you can **STORE UP TO 100 PRODUCTS IN THE MENU** with their corresponding dosing settings



- the **MENU** is available in the following **LANGUAGES**: English, Dutch, French, German, Spanish, Russian, Chinese, Swedish

- **QUICK INTERCHANGEABLE ALL-IN-ONE HOPPERS**



**CLICK HERE TO WATCH THE MOVIE**

 - 8°  
*cold products*

# APPLICATIONS

*sweet & savoury products*

+120°   
*hot products*



## DEPOSITING



depositing of soup, sauces, mashed potatoes, minced meat, salads, fruit fillings, mousse, ice-cream, etc.



## LAYERING

layering of sauces, etc.



# OPTIONS

## FILLER UNITS & ATTACHMENTS



cooling jacket



heater jacket



3 L

8 L

15 L



synthetic follower plate



st. steel follower plate

## SPOUTS

for electric or electro-pneumatic power base



spout 45 °



spout 90 °

electric handgun spout



plain spouts



layering spout

## SPOUTS

ONLY for electro-pneumatic power base



pneumatic handgun spout



pneumatic vertical spout

*multi-functional*

SEE A COMPLETE OVERVIEW OF THE OPTIONS IN THE CATALOGUE

*quick product change*

## COMMANDS



**hand switch suitable  
both for left and  
right-handed people**

**handgun  
with a trigger**

**foot pedal**



## FILLER UNITS single outlet



**3 l**

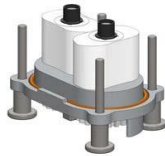
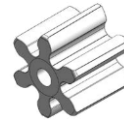
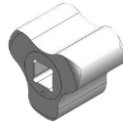
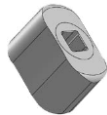


**8 l**



**15 l**

## GEAR ASSEMBLIES single outlet



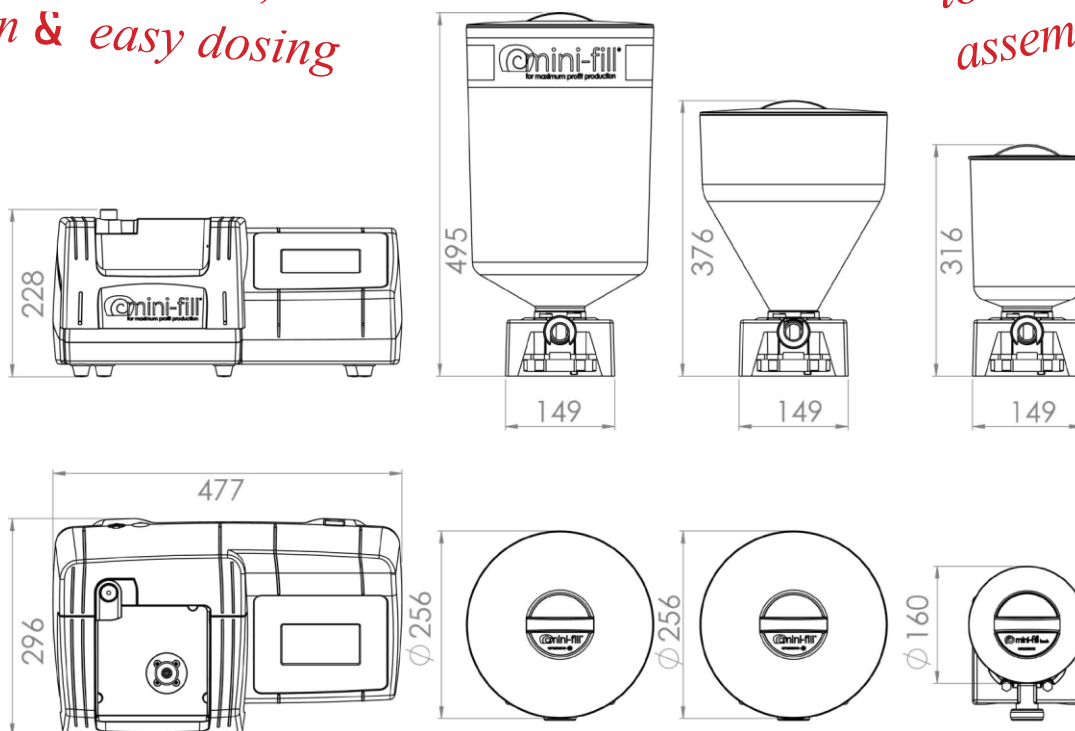
	2 lobe	3 lobe	6 teeth	14 teeth
VISCOSITIES	from soft till heavy and aerated products	from soft till heavy and aerated products	from soft till semi-heavy products	ONLY semi-liquid products
PARTICLE SIZE, MM	soft and hard particles max d 15 mm	soft and hard particles max d 10 mm	soft and hard particles max d 5 mm	ONLY particles such as seeds



*fast, accurate,  
clean & easy dosing*

## SPECIFICATION

*tool-free  
assembly*



**Beldos**

	Mini-fill Electric 100 W	Mini-fill Electric 260 W	Mini-fill Electro- pneumatic 260 W
POWER	110/220 V 50/60 Hz 100 W	110/220 V 50/60 Hz 260 W	110/220 V 50/60 Hz, 260 W 6 Bar compressed air
COMPRESSOR	-	-	1,5 kW - 8 bar 24 l - 196 l/min
SPEED	up to 50 deposits/min		
DEPOSIT RANGE	3-5000 ml		
VISCOSITIES	soft, aerated products	soft, heavy, aerated products	DRIP-FREE DOSING semi-liquid, soft, heavy, aerated products
PRODUCTS	custard, marmalade, fruit filling, cheese filling, mayonnaise, mousse, whipped cream	custard, marmalade, fruit filling, cheese filling, mayonnaise, sauce, mousse, whipped cream <b>Nutella, muffin batter, ice-cream, mashed potatoes, salads</b>	custard, marmalade, fruit filling, cheese filling, mayonnaise, sauce, mousse whipped cream, Nutella, muffin batter, ice-cream, mashed potatoes, salads, <b>milk rice, yoghurt choux paste</b>
<b>THE PRODUCTS PER POWER BASE TYPE ARE GIVEN ONLY FOR A GENERAL REFERENCE. PLEASE CONTACT OUR SALES TEAM FOR MORE INFORMATION!</b>			

Beldos USA, 3701 Magrath Road, WA 98226 , [www.beldosusa.com](http://www.beldosusa.com) , Tel. 360 244 2064

