

*minimal training
required*

BELDOS

low investment

FOR A BETTER FILLING

Mini-fill Injecting & Filling Machine

Invest less and get more out of the Mini-fill!

Do you need a compact affordable machine for precise portion control?

Do you need to produce a large variety of products with minimum change over and cleaning?

You are in the right place! We are looking forward to hearing from you and supporting you with the best expertise!

Design features:

- **ELECTRIC OR ELECTRO-PNEUMATIC** versions depending on the product viscosity
- easy-to-use color **TOUCH SCREEN**
 - single/automatic or continuous mode
 - volume
 - speed
 - waiting time between deposits
 - number of automatic deposits
 - reverse mode to prevent dripping



- you can **STORE UP TO 100 PRODUCTS IN THE MENU** with their corresponding dosing settings



- the **MENU** is available in the following **LANGUAGES**: English, Dutch, French, German, Spanish, Russian, Chinese, Swedish



- **QUICK INTERCHANGEABLE ALL-IN-ONE HOPPERS**



- **FILL THE HOPPER EASILY FROM A BATCH FREEZER**



**CLICK HERE TO WATCH
THE MOVIE**



cold products



APPLICATIONS

sweet & savoury products



+120° hot products



DEPOSITING

depositing of ice cream, jam, jelly, fruit filling, etc.



*save ingredients
by correct dosing*



OPTIONS

FILLER UNITS & ATTACHMENTS



synthetic
follower plate



st. steel
follower plate



cooling jacket



3 L



8 L



15 L

*quick product
change*

SPOUTS for electric or electro-pneumatic power base

multi-functional



spout 45 °



spout 90 °



plain spouts

SPOUTS ONLY for electro-pneumatic power base



pneumatic
handgun spout



pneumatic
vertical spout

SEE A COMPLETE OVERVIEW OF THE OPTIONS IN THE CATALOGUE

COMMANDS



hand switch suitable
both for left and



right-handed people



handgun with a
trigger

foot pedal

FILLER UNITS single outlet



3 l

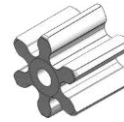
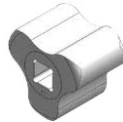


8 l



15 l

GEAR ASSEMBLIES single outlet



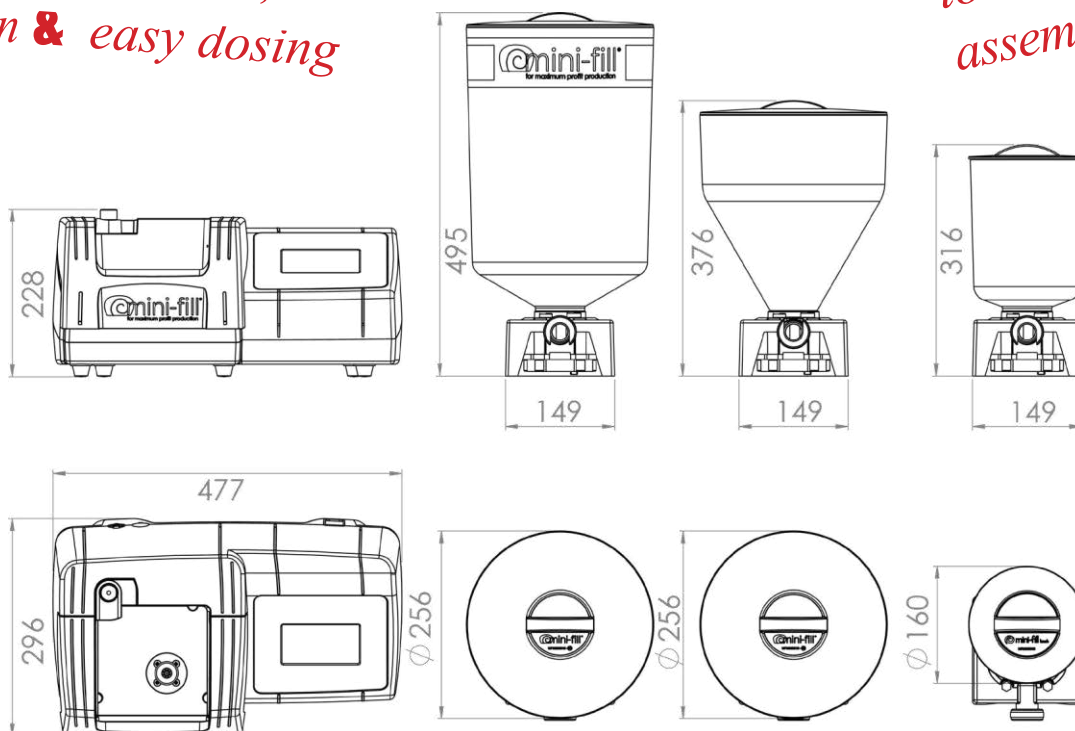
| | 2 lobe | 3 lobe | 6 teeth | 14 teeth |
|--------------------------|---|---|------------------------------------|-------------------------------------|
| VISCOSITIES | from soft till heavy and aerated products | from soft till heavy and aerated products | from soft till semi-heavy products | ONLY semi-liquid products |
| PARTICLE SIZE, MM | soft and hard particles max d 15 mm | soft and hard particles max d 10 mm | soft and hard particles max d 5 mm | ONLY particles such as seeds |



*fast, accurate,
clean & easy dosing*

B SPECIFICATION

*tool-free
assembly*



| | Mini-fill Electric 100 W | Mini-fill Electric 260 W | Mini-fill Electro- pneumatic 260 W |
|---------------|--|---|--|
| POWER | 110/220 V 50/60 Hz 100 W | 110/220 V 50/60 Hz 260 W | 110/220 V 50/60 Hz, 260 W 6 Bar compressed air |
| COMPRESSOR | - | - | 1,5 kW - 8 bar 24 l - 196 l/min |
| SPEED | up to 50 deposits/min | | |
| DEPOSIT RANGE | 3-5000 ml | | |
| VISCOSITIES | soft, aerated products | soft, heavy, aerated products | DRIP-FREE DOSING semi-liquid, soft, heavy, aerated products |
| PRODUCTS | custard, marmalade, fruit filling, cheese filling, mayonnaise, mousse, whipped cream | custard, marmalade, fruit filling, cheese filling, mayonnaise, sauce, mousse, whipped cream Nutella, muffin batter, ice-cream, mashed potatoes, salads | custard, marmalade, fruit filling, cheese filling, mayonnaise, sauce, mousse, whipped cream, Nutella, muffin batter, ice-cream, mashed potatoes, salads, milk rice, yoghurt, choux paste |

**THE PRODUCTS PER POWER BASE TYPE ARE GIVEN ONLY FOR A GENERAL REFERENCE.
PLEASE CONTACT OUR SALES TEAM FOR MORE INFORMATION!**

.....

.....